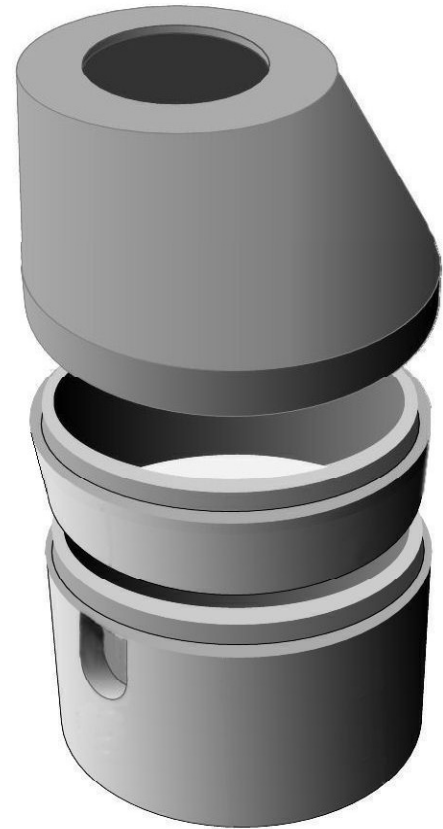
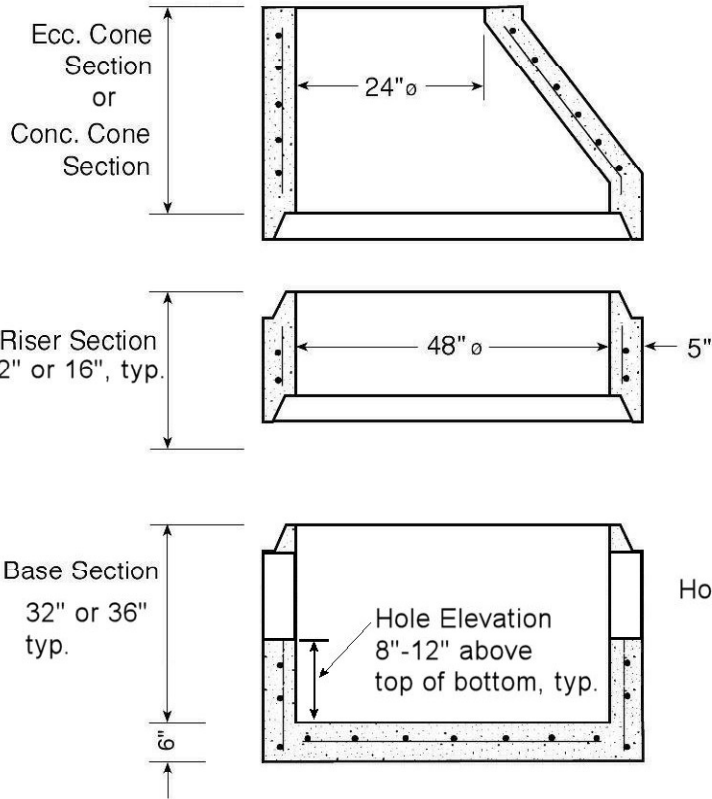


**Valve Vault for 48" or 60" Dia.**



Holes are 180°, typ.

**Materials**

CONCRETE: 4,000 PSI.

WALL REINFORCING:  
per ASTM C-478 Standard.

BOTTOM SLAB REINFORCING  
#4 @ 12" O.C.E.W.

**-No Scale-**

All dimensions subject to allowable specification tolerances.

Unit Weights (48")	
Wt./ Vert. Ft.	876 lbs.
Base Bottom	955 lbs.
Wall Thickness	5 in.

Unit Weights (60")	
Wt./ Vert. Ft.	1308 lbs.
Base Bottom	2149 lbs.
Wall Thickness	6 in.

TITLE

**48" and 60" Dia. Valve Vault  
with Integral Bottom**

**VOLLMAR**  
CLAY PRODUCTS COMPANY  
1-773-774-1234