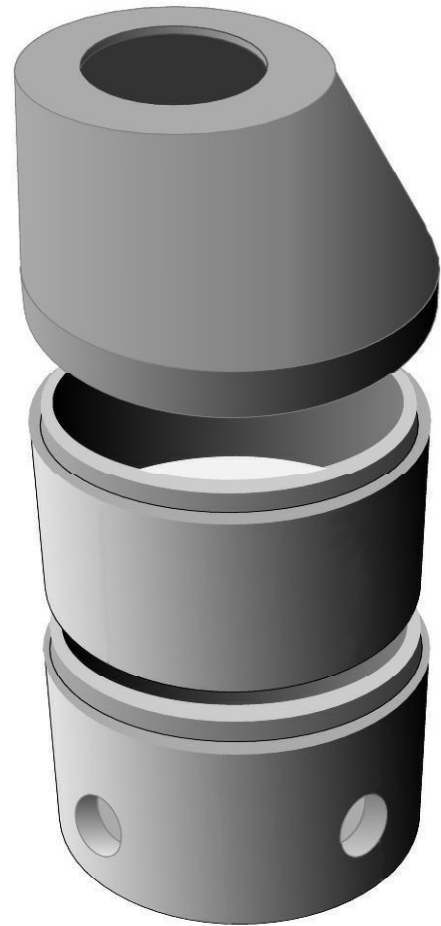
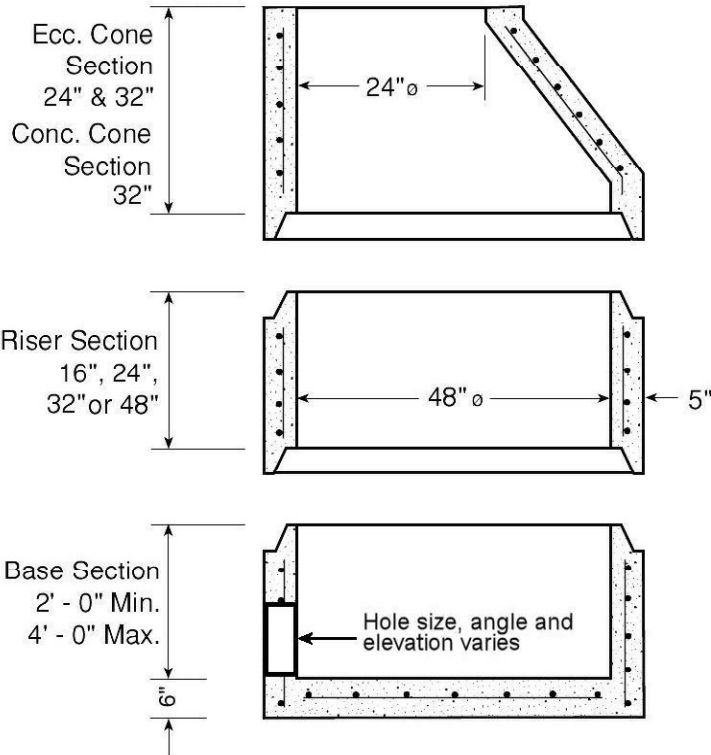


Precast Sanitary or Storm Structures



Materials

CONCRETE: 4,000 PSI.

WALL REINFORCING:
per ASTM C-478 Standard.

BOTTOM SLAB REINFORCING
#4 @ 12" O.C.E.W.

Unit Weights		
Wt./ Vert. Ft.	876	lbs.
Base Bottom	955	lbs.
Wall Thickness	5	in.

-No Scale-

All dimensions subject to allowable specification tolerances.

TITLE

48" Diameter Manhole with Eccentric Cone

VOLLMAR
CLAY PRODUCTS COMPANY
1-773-774-1234